

SPARE PARTS & GENUINE COMPONENTS

ENGINEERED SPARES FOR
LONG-TERM RELIABILITY



OSWAR
rotocorp

Oswar Rotocorp provides a complete range of genuine spare parts and precision components designed to maintain and enhance the performance of installed equipment.

Manufactured with strict dimensional control and material consistency, our spare parts ensure perfect compatibility, minimal downtime, and sustained operational efficiency. Each component is produced using the same engineering standards as original equipment, guaranteeing reliable fitment and performance integrity.



KEY ADVANTAGES

DIMENSIONALLY
ACCURATE
FITMENT

ORIGINAL
EQUIPMENT
QUALITY
STANDARDS

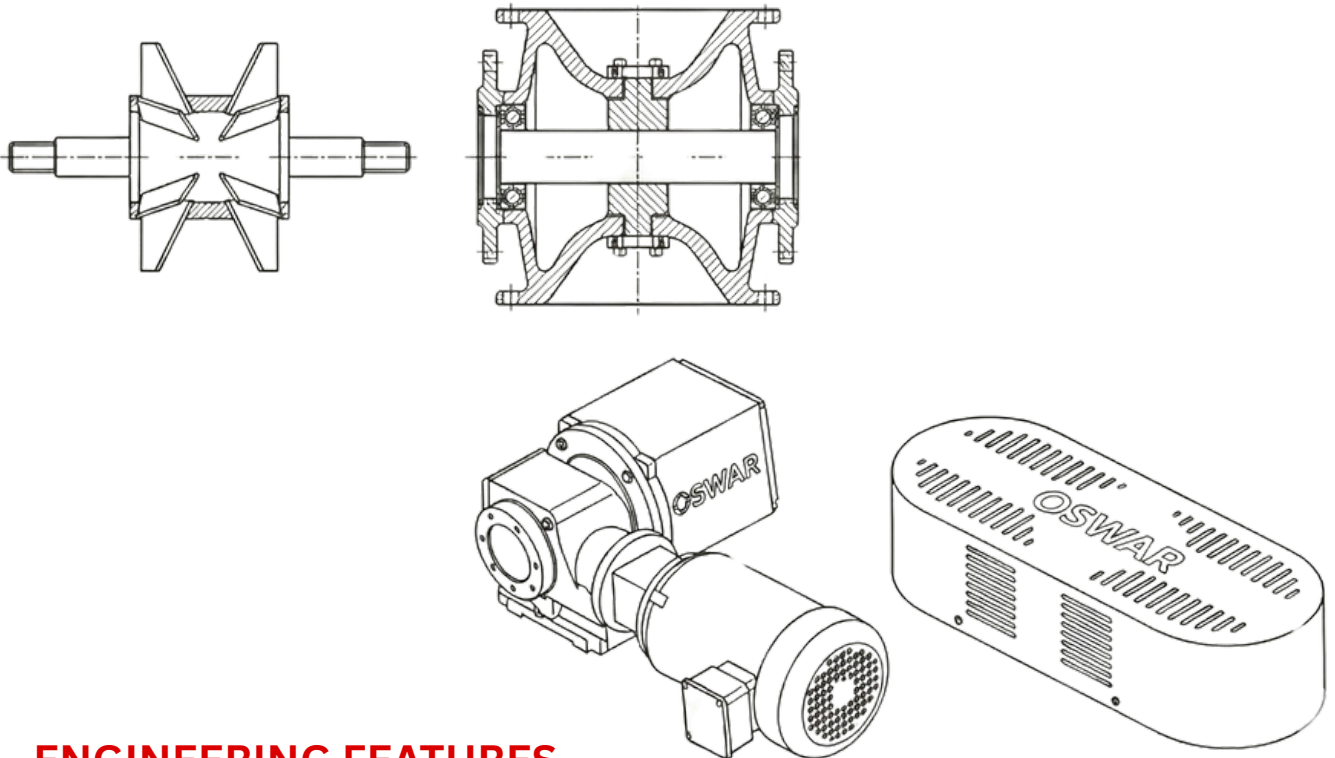
EXTENDED
EQUIPMENT LIFE

REDUCED
MAINTENANCE
DOWNTIME

PRECISION MANUFACTURED COMPONENTS

All spare parts and genuine components are manufactured using precision CNC machining and controlled quality processes to ensure exact tolerances and material consistency.

Critical wear components are engineered with optimized surface finishes and appropriate material selection to enhance durability under demanding industrial conditions.



ENGINEERING FEATURES

- Rotor Assemblies
- Housings & End Covers
- Shafts & Bearings
- Sealing Elements & Glands
- Liners & Wear Plates

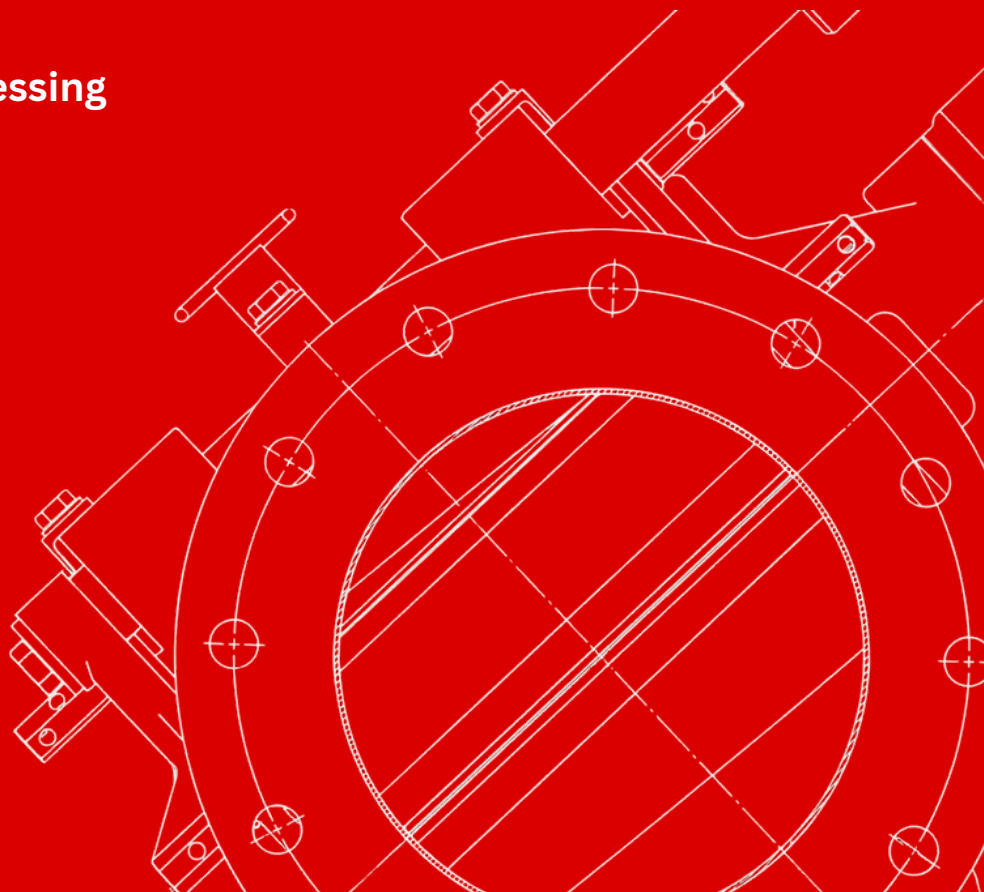
SUPPORTING YOUR OPERATIONS WORLDWIDE

Support Coverage Includes:

- Routine Maintenance Spares
- Emergency Breakdown Replacement
- Wear Part Upgrades
- Performance Optimization Components
- Custom-Engineered Replacement Parts

Industries Served:

- Cement Manufacturing
- Power Generation
- Mining & Mineral Processing
- Steel & Foundry Units
- Chemical Processing



OSWAR

rotocorp

Corporate Office

Jaipur, Rajasthan India
Nagpur, Maharashtra India

Sales Inquiries

info@oswarrotocorp.com

Helpline

[+44 7917 128505](tel:+447917128505) | +91 77422 36474

Copyright © 2026 OSWAR ROTOCORP. All Rights Reserved. OSWAR® is a registered trademark of **OSWAR ROTOCORP**. This brochure makes no offers, representations or warranties (express or implied), and information and data contained in this brochure are for general reference only and may change at any time.